



**KINETEC**



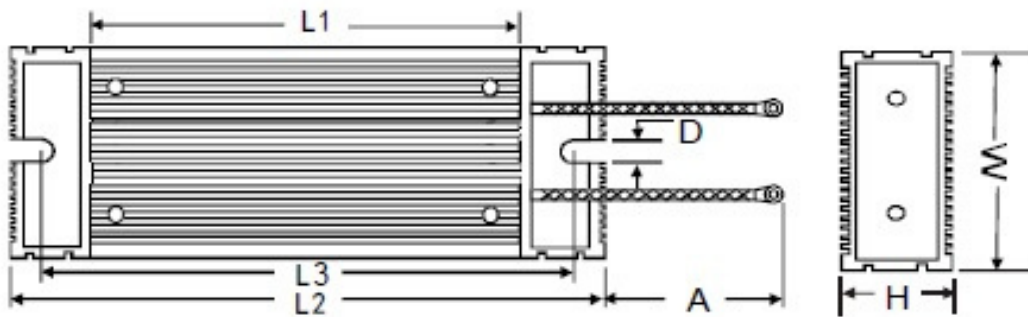
## **Aluminium Casing** **Braking Resistor**

Reliable , safe and easy installation aluminium cased braking resistor to complement your Variable Speed Drives (VSD) for any regeneration application. Fast dissipation of heat to prevent overheated scenario and thus, prolonging the lifespan of the resistor

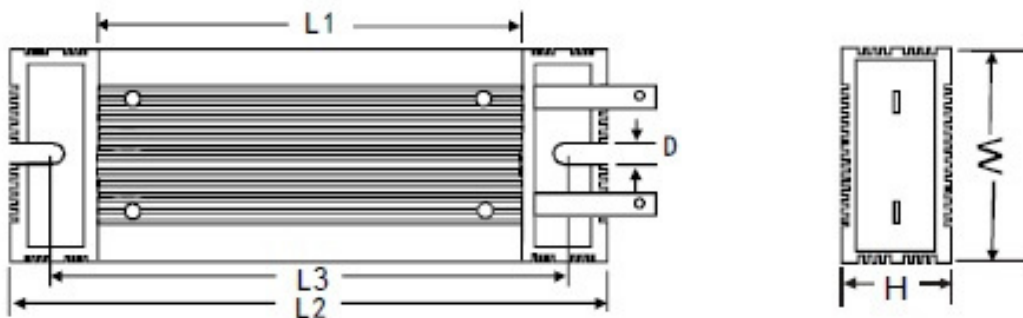
### **Features**

- **Rugged and shock resistance**
- **Easy installation**
- **Fast dissipation of heat**

## Model for 300W and 800W



## Model for 1500W and 2200W



Power (W)	Resistance (ohm)	Dimensions (mm)						
		W	H	L1	L2	L3	A	D
300	324	60	30	180	215	200	300	5.2
800	120	60	30	330	365	350	300	5.2
1500	60	70	45	415	450	435	-	5.2
2200	46	70	45	515	550	535	-	5.2



**KINETEC AUTOMATION (M) SDN BHD**

19, JALAN PUSAT BCH 1/3, BANDAR COUNTRY HOMES,  
48000 RAWANG, SELANGOR, MALAYSIA

TEL: +603-6733 5250 / 5290

[www.kinetec.com.my](http://www.kinetec.com.my)